

# MFA0206

## Blower designed for specific integration

AIRFAN's naked turbine architecture.

The **MFA0206** is designed for implementation in ventilators including **Home Life Support with O<sub>2</sub> injection before the turbine\*\***.

It is derived from the **MFA0205** without inner motor cooling system.



### PERFORMANCES

<b>ΔP max @24V</b>		<b>79 hPa</b>	<b>fully closed</b>
<b>Q max @24V</b>		<b>300 l/mn</b>	<b>fully opened</b>
<b>Typical w/p @30 l/mn</b>		<b>P = 9.3 (W)</b>	<b>@30 hPa</b>
		<b>P = 17.4 (W)</b>	<b>@60 hPa</b>
<b>LifeTime (L10)</b>		<b>&gt; 25 000 hours*</b>	
<b>Type</b>		<b>Naked turbine</b>	

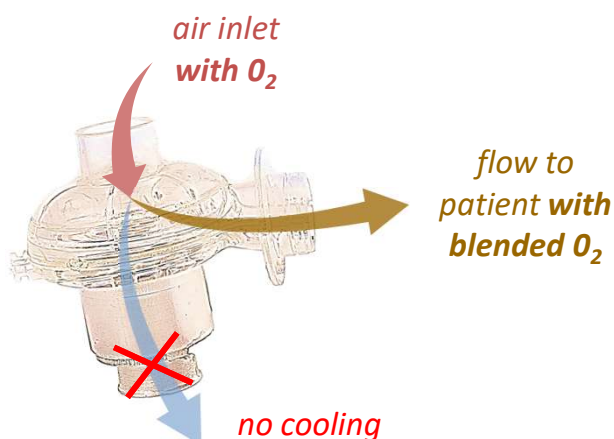
\* LifeTime expectancy based on standard operating conditions

	<b>&lt; 95 ms</b>	<b>@3A max</b>
	<b>&lt; 88 ms</b>	<b>@6A max</b>
	<b>&lt; 84 ms</b>	<b>@10A max</b>

\* from 5 to 60 hPa @30 l/mn

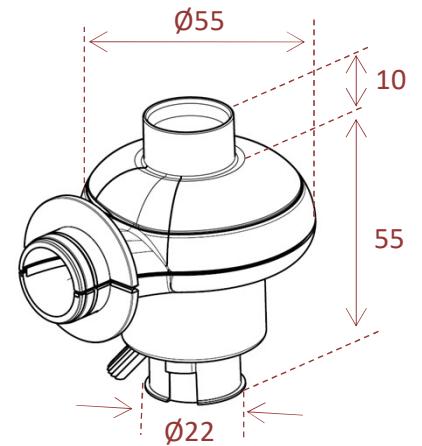
	<b>&lt; 53 dBa</b>	<b>@10 hPa</b>
	<b>&lt; 61 dBa</b>	<b>@30 hPa</b>
	<b>&lt; 67 dBa</b>	<b>@60 hPa</b>

\* with Blower inlet @1m



## TECHNICAL DATA

Voltage supply	24 VDC (nom)   28 VDC (max)
Motor type	Brushless with Hall-effect sensors
Dimensions (casing)	Ø55 x 65 mm (Ø2.2 x 2.6 in)
Weight	0.10 kg (~ 0.22 Lb)
Integration	works in any position/orientation
Temperature	-20 to +50°C ambient
Humidity	0 to 95% RH non condensing
Atmospheric pressure	700 to 1100 hPa
Oxygen compatibility	Yes

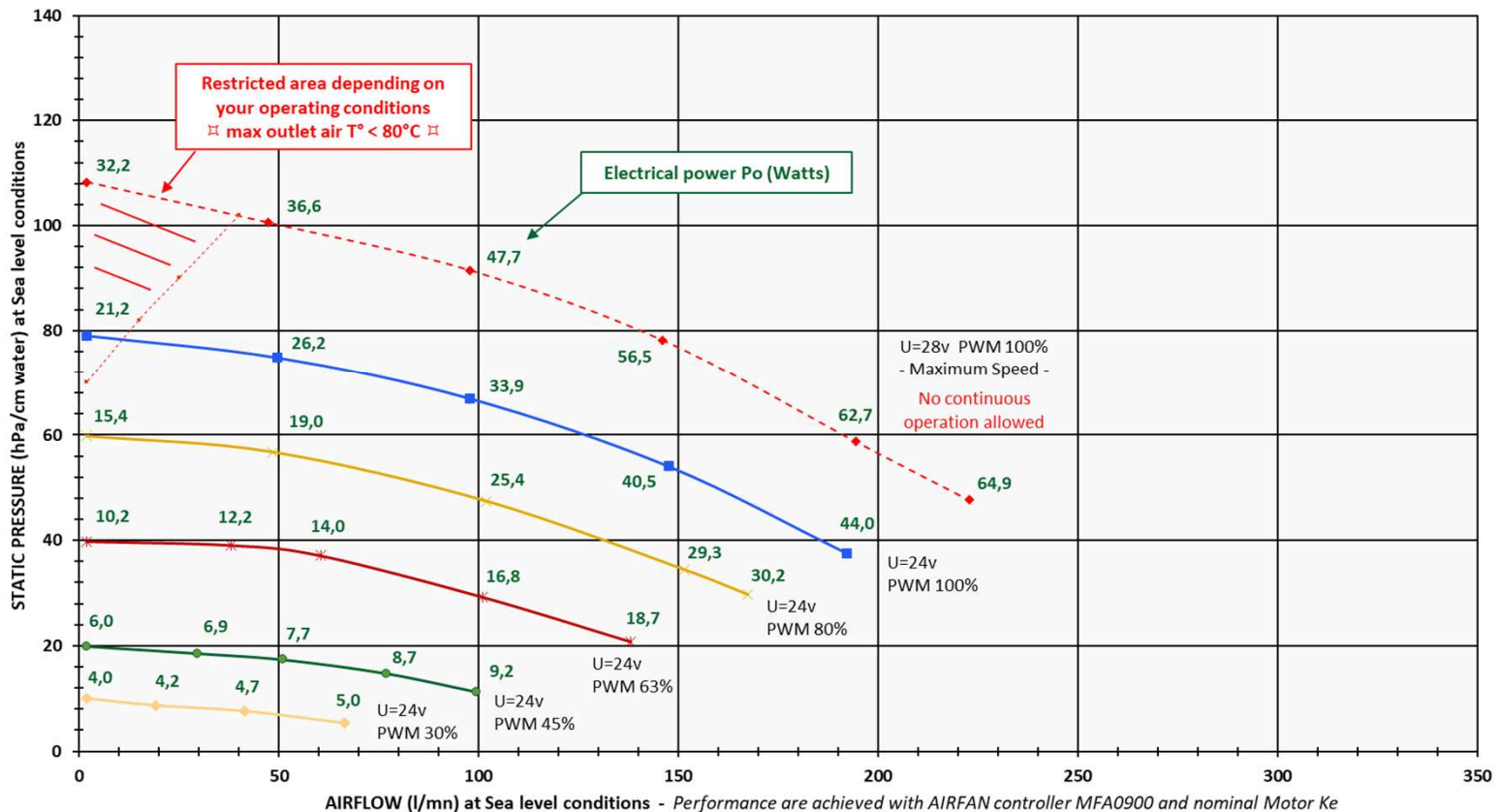


## COMPRESSOR MAP

### Static ΔP vs Airflow at Constant PWM and Motor Voltage

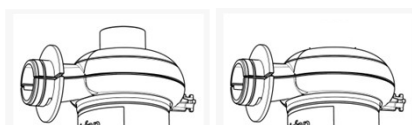
PWM = Pulse Width Modulation

#### MFA0206 Turbine



## CUSTOMISATION

- with or without inlet tube
- external suspension for vibration
- Wire Length 150mm or custom



**CUSTOMISE TO YOUR SPECIFICATIONS**

