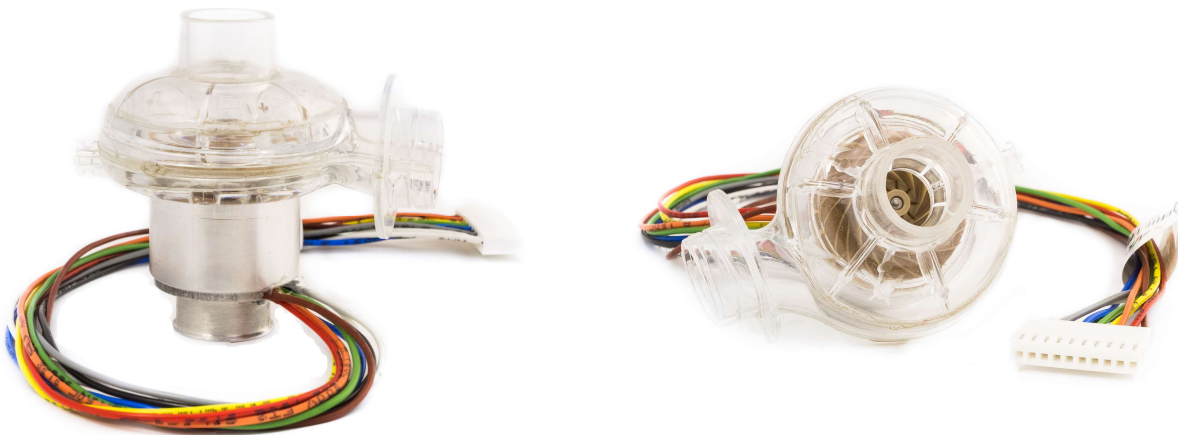


MFA0205

Blower designed for specific integration

Specific Airfan blower architecture with **patented motor cooling system**. **Highly dynamic** with a **long operational lifetime**, the **MFA0205** is designed for implementation in ventilators including **Home Life Support**.



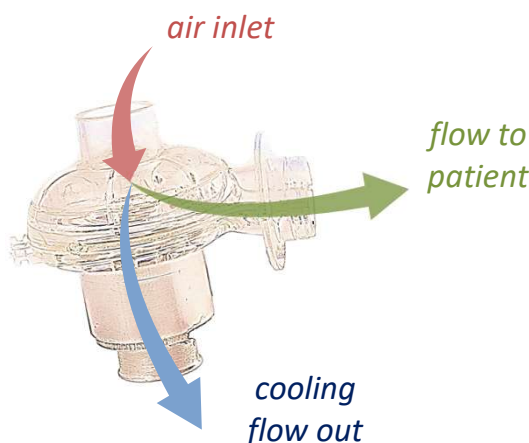
PERFORMANCES

ΔP max @24V		78 hPa	fully closed
Q max @24V		280 l/mn	fully opened
Typical w/p @30 l/mn		P = 11.0 (W)	@30 hPa
		P = 21.3 (W)	@60 hPa
LifeTime (L10)		> 40 000 hours*	
Type		Naked turbine	

* LifeTime expectancy based on standard operating conditions

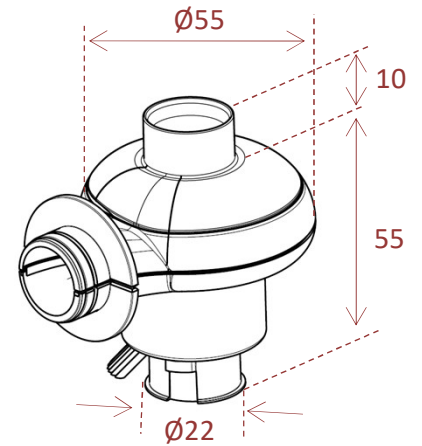
 Dynamic transient time*	< 95 ms	@3A max
	< 88 ms	@6A max
	< 84 ms	@10A max
<i>* from 5 to 60 hPa @30 l/mn</i>		
 Noise Level*	< 50 dBa	@10 hPa
	< 61 dBa	@30 hPa
	< 66 dBa	@60 hPa

* with Blower inlet @1m



TECHNICAL DATA

Voltage supply	24 VDC (nom) 28 VDC (max)
Motor type	Brushless with Hall-effect sensors
Dimensions (casing)	Ø55 x 65 mm (Ø2.2 x 2.6 in)
Weight	0.10 kg (~ 0.22 Lb)
Integration	works in any position/orientation
Temperature	-20 to +50°C ambient
Humidity	0 to 95% RH non condensing
Atmospheric pressure	700 to 1100 hPa
Oxygen compatibility	no

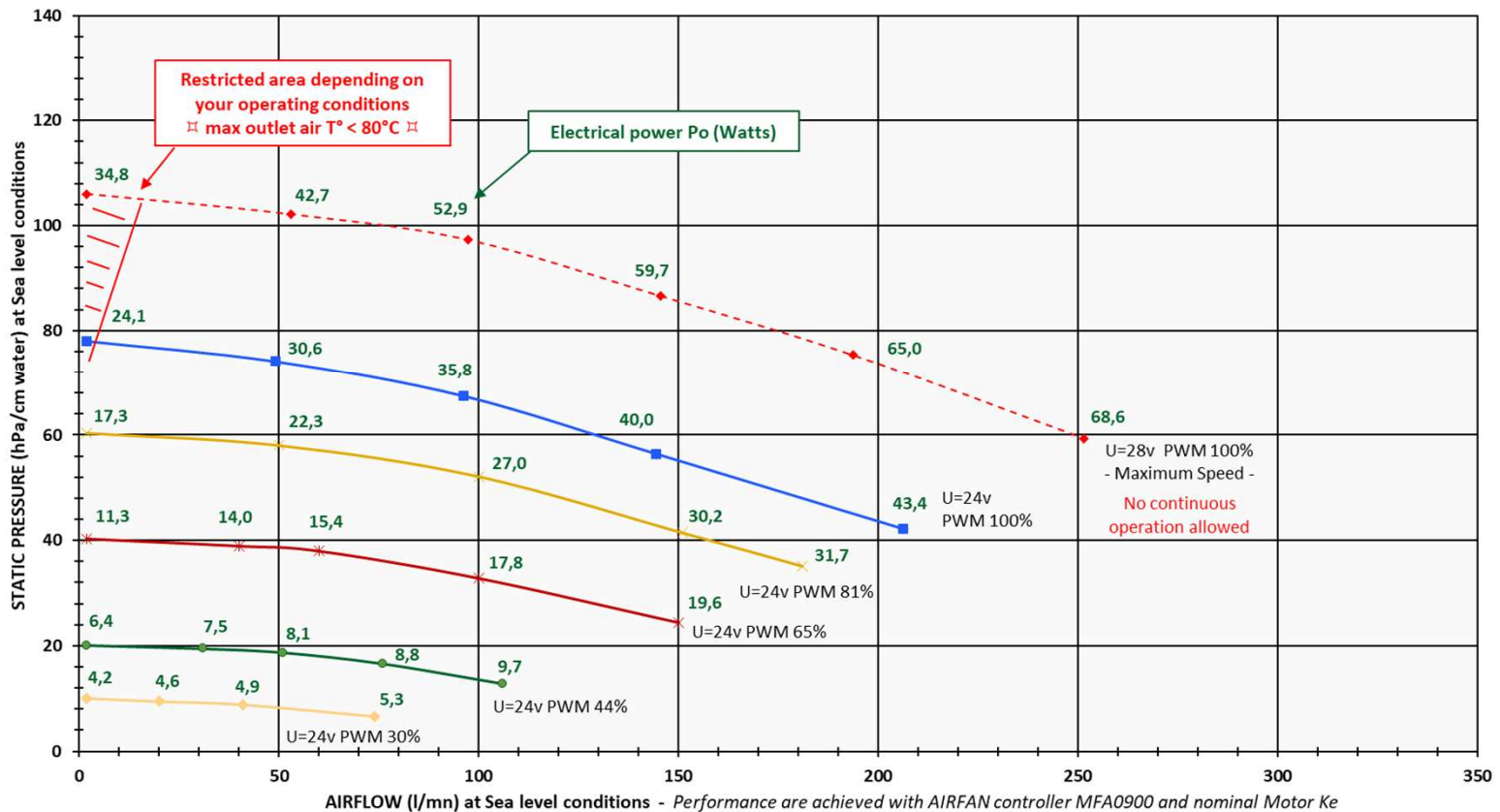


COMPRESSOR MAP

Static ΔP vs Airflow at Constant PWM and Motor Voltage

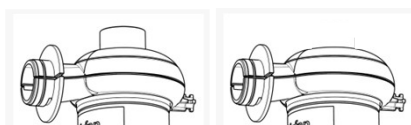
PWM = Pulse Width Modulation

MFA0205 Turbine



CUSTOMISATION

- with or without inlet tube
- external suspension for vibration
- Wire Length 150mm or custom



CUSTOMISE TO YOUR SPECIFICATIONS

