



MFA0249

Blower for Blended O₂ & Transport care

Specific blower architecture with **patented motor cooling system fully independent** from the air flow inlet. This blower has a **special vibration and noise reduction housing** designed for **portable applications**, including emergency care.

New product



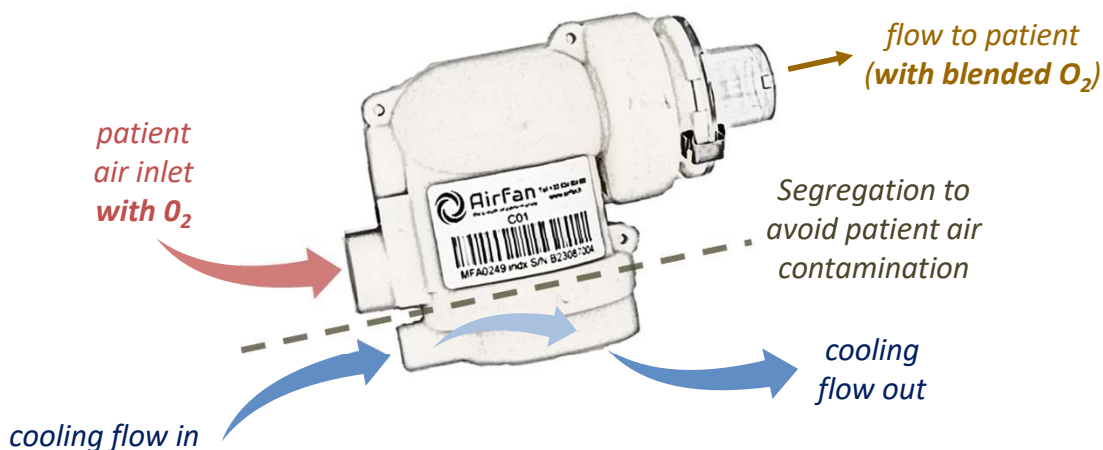
Available on request

PERFORMANCES

ΔP max @24V		> 130 hPa	fully closed	Dynamic transient time*	< 97 ms	@3A max
Q max @24V		> 340 l/mn	fully opened		< 92 ms	@6A max
Typical w/p @30 l/mn		P = 11.6 (W) @30 hPa			< 86 ms	@10A max
		P = 21.3 (W) @60 hPa		* from 5 to 60 hPa @30 l/mn		
LifeTime (L10)		> 40 000 hours*		Noise Level*	< 52 dBa @30 hPa	
Type		Casing integration				

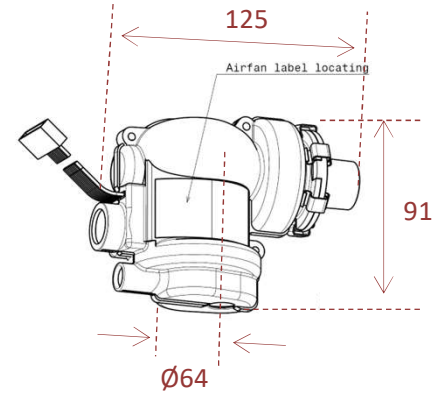
* LifeTime expectancy based on standard operating conditions

* with Blower inlet @1m



TECHNICAL DATA

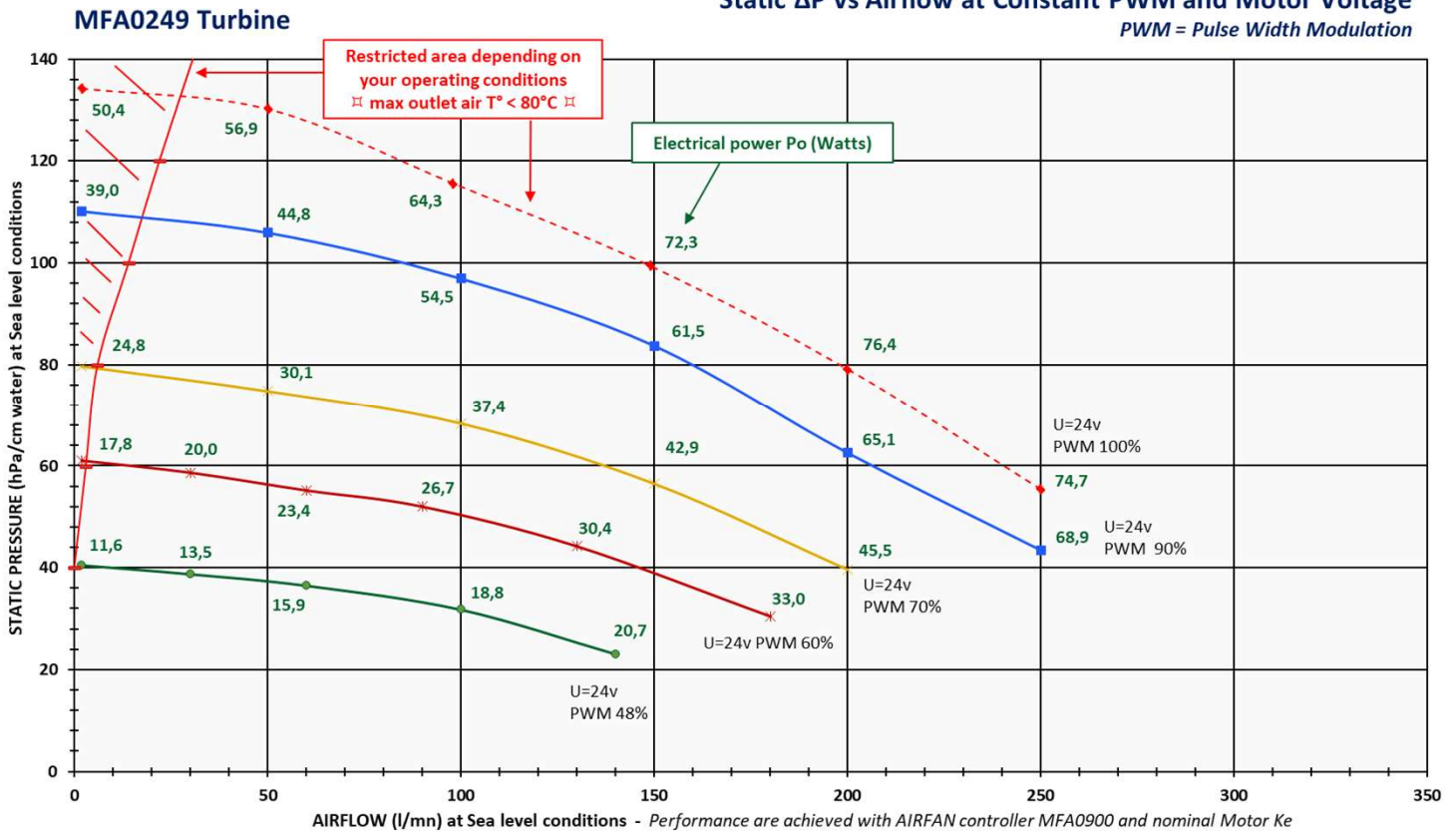
Voltage supply	24 VDC (nom) 24 VDC (max)
Motor type	Brushless with Hall-effect sensors
Dimensions (casing)	125 x 91 x Ø64 mm (4.9x3.6xØ2.5 in)
Weight	0.23 kg (~ 0.51 Lb)
Integration	works in any position/orientation
Temperature	-20 to +50°C ambient
Humidity	0 to 95% RH non condensing
Atmospheric pressure	700 to 1100 hPa
Oxygen compatibility	100% O2 compatible



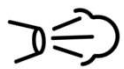
COMPRESSOR MAP

Static ΔP vs Airflow at Constant PWM and Motor Voltage

PWM = Pulse Width Modulation



CUSTOMISATION



Outlet port

- Outlet port male or female connector (22Ø ISO5356-1) or additional auxiliary ports



- Wire Length 150 or custom



- Custom label



CUSTOMISE TO YOUR SPECIFICATIONS

