








MFA0295 Blower for Performance & Reliability

AIRFAN blower architecture with unique soundproof housing. Perfectly suited for implementation in ventilators dedicated to Acute, Sub-Acute and Home Care. The **MFA0295** is derived from the **MFA0290** without an inner motor cooling system for Oxygen management**.



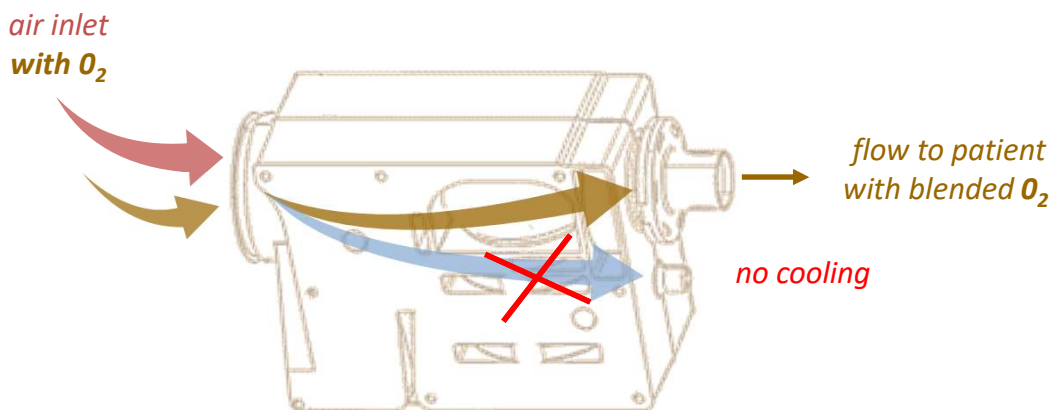
PERFORMANCES

ΔP max @24V		77 hPa fully closed	 Dynamic transient time*	< 95 ms @3A max
Q max @24V		290 l/mn fully opened		< 88 ms @6A max
Typical w/p @30 l/mn		P = 10.5 (W) @30 hPa		< 84 ms @10A max
		P = 21.5 (W) @60 hPa		
LifeTime (L10)		> 25 000 hours*	 Noise Level*	< 29 dBa @10 hPa
Type		Casing integration		< 41 dBa @30 hPa
				< 48 dBa @60 hPa

* from 5 to 60 hPa @30 l/mn

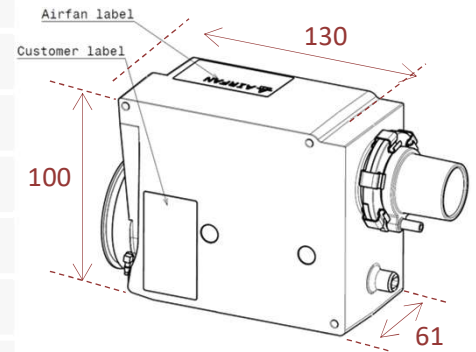
* with Blower inlet @1m

* LifeTime expectancy based on standard operating conditions



TECHNICAL DATA

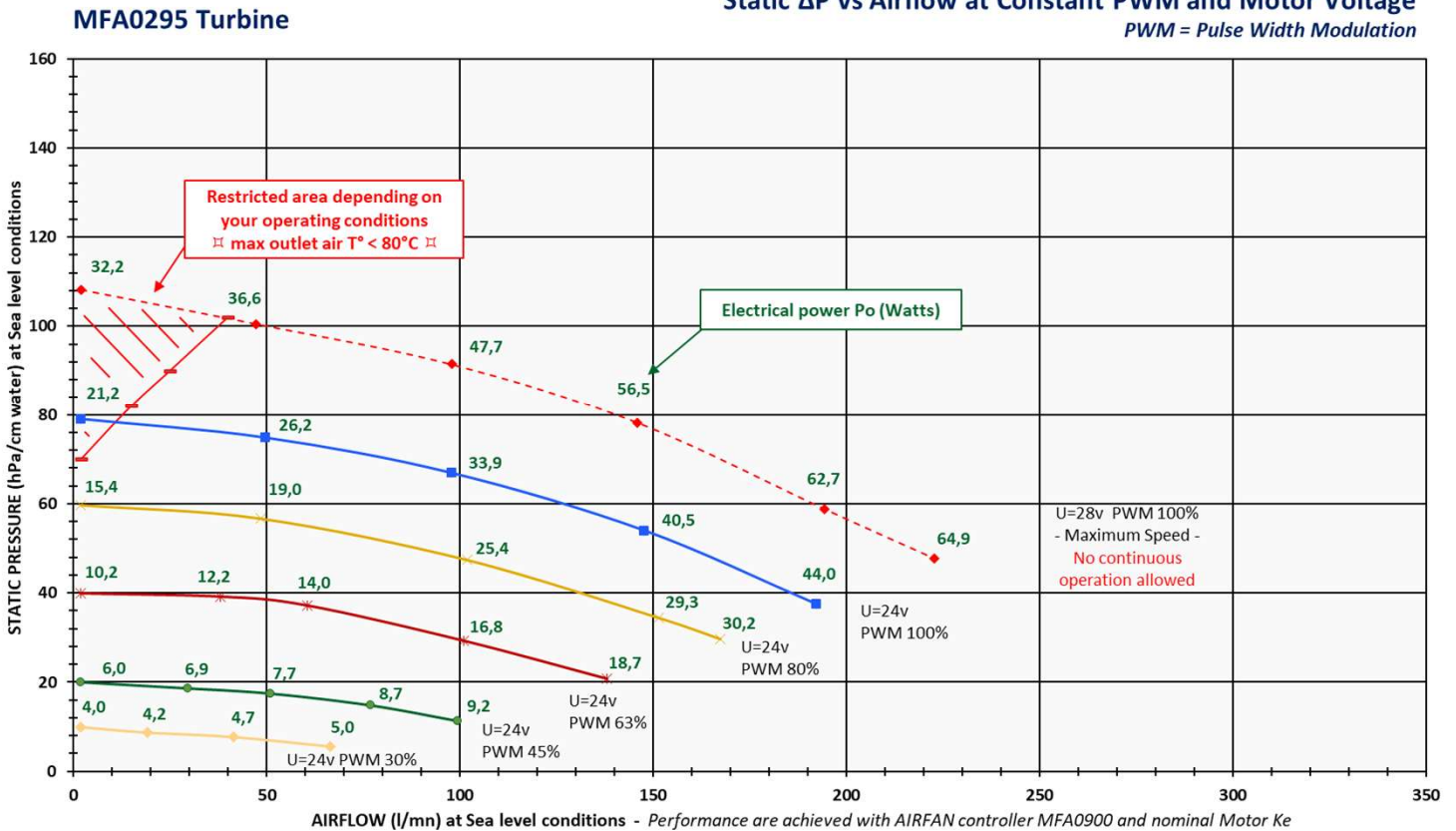
Voltage supply	24 VDC (nom) 28 VDC (max)
Motor type	Brushless with Hall-effect sensors
Dimensions (casing)	130 x 100 x 61 mm (5.3 x 3.9 x 2.4 in)
Weight	0.45 kg (~ 1.00 Lb)
Integration	works in any position/orientation
Temperature	-20 to +50°C ambient
Humidity	0 to 95% RH non condensing
Atmospheric pressure	700 to 1100 hPa
Oxygen compatibility	depending on customer operating conditions



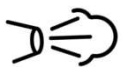
COMPRESSOR MAP

Static ΔP vs Airflow at Constant PWM and Motor Voltage

PWM = Pulse Width Modulation



CUSTOMISATION



Outlet port

- Outlet port male or female connector (22Ø ISO5356-1) or additional auxiliary ports



- O-ring for air inlet

- Custom label



CUSTOMISE TO YOUR SPECIFICATIONS



- Wire Length 150 or custom

